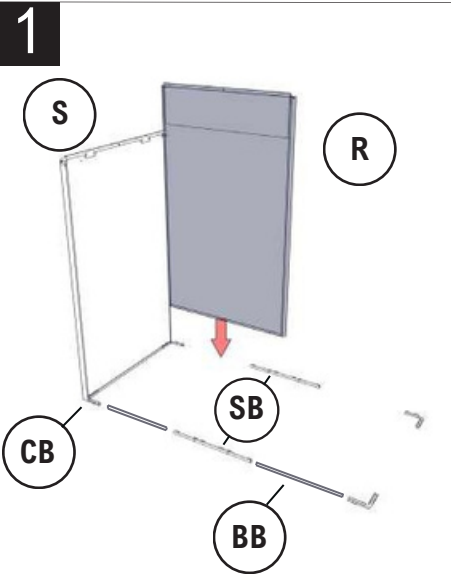


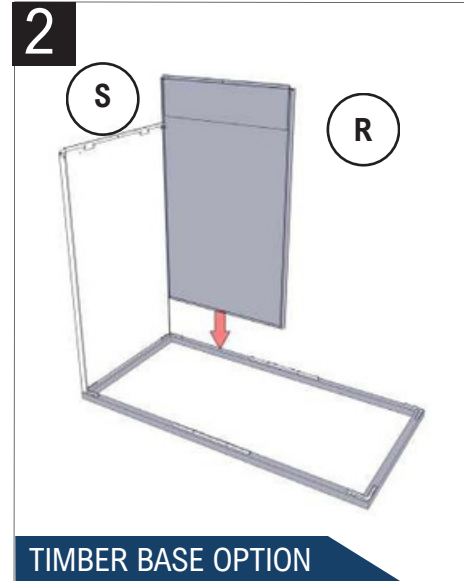
THE ACOUSTIC BOX



1800MM HIGH -
OVER 1.7M WIDE -
WITH A REAR
PANEL

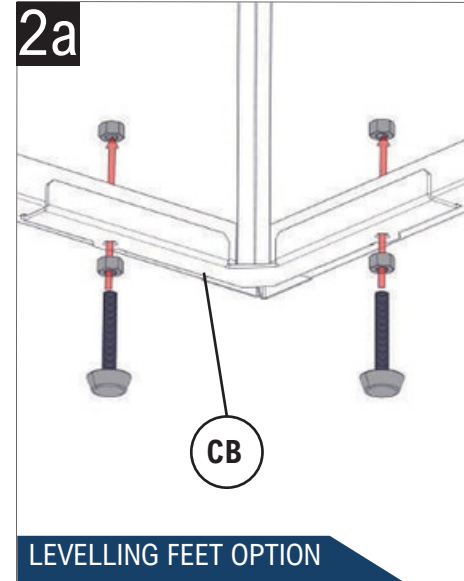


Locate slots on bottom of side and rear panels and push down into the corner and straight brackets as shown.



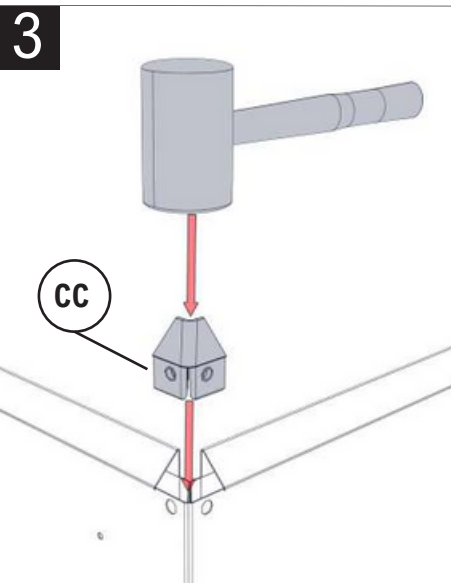
TIMBER BASE OPTION

If no concrete slab / other at surface is available, use the timber base frame as shown.

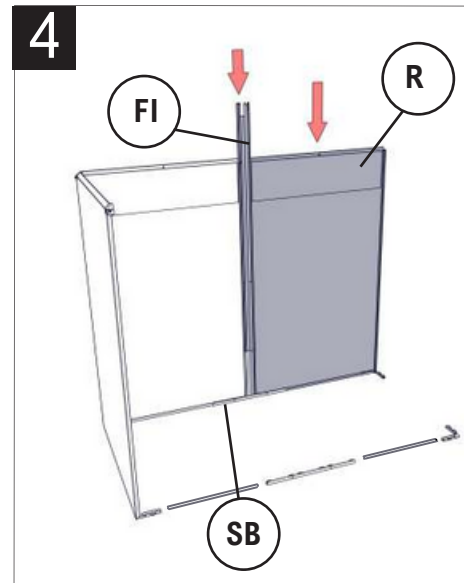


LEVELLING FEET OPTION

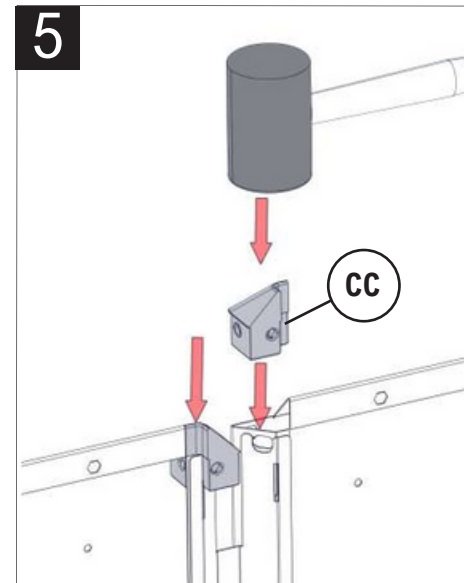
If installing on an uneven / unlevelled surface, please use the optional feet (through holes in bottom corners) to raise the box and adjust the nuts below / above the corner bracket to suit.



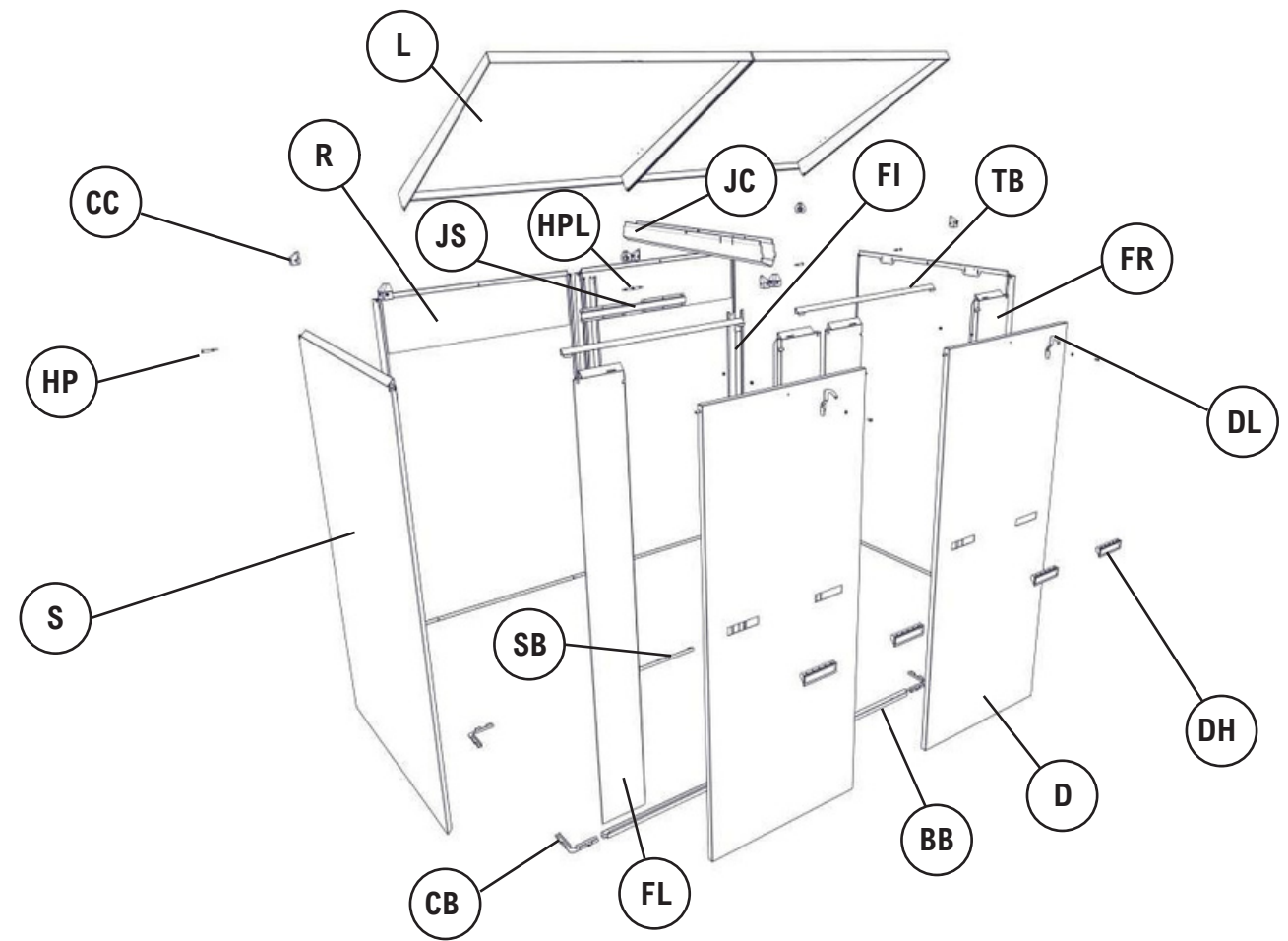
Now insert a plastic cap into the holes in the top of the panel to join them. Tap into place with a mallet.



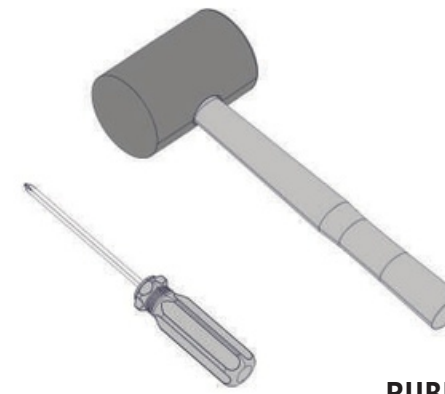
Now insert the other rear panel onto the tabs of the corner and straight brackets. Insert the filler between the panels and slide into the straight bracket, ensuring slots at top of filler are in line with slots at top of panels.



Place the plastic caps into the panels to join them to the filler.



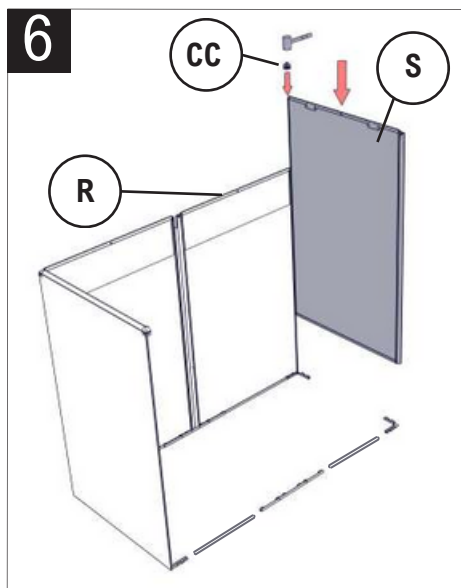
REQUIRED TOOLS



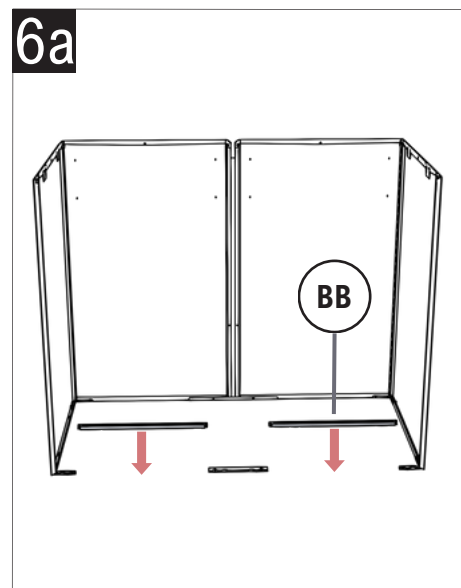
PHILLIPS
SCREWDRIVER

RUBBER
MALLET

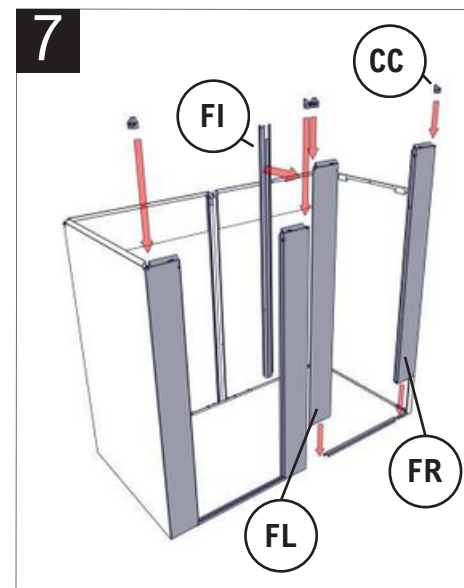
Part No.	Description	Qty.
S	SIDE PANEL	2
R	REAR PANEL	2
FL	FRONT PANEL LEFT	2
FR	FRONT PANEL RIGHT	2
L	LID	2
CB	CORNER BRACKET	4
HP	HINGE PIN	2
D	REMOVABLE FRONT DOOR	2
DL	DOOR LATCH	2
CC	CORNER CAP	8
BP	BASE PIN	16
DH	DOOR HANDLE	4
JC	JOINT CHANNEL	1
SB	STRAIGHT BRACKET	2
FI	FILLER	2
JS	JOINING STIFFENER	1
HPL	LONG HINGE PIN	1
BB	BOTTOM BRACKET	2
TB	TOP BRACKET	2



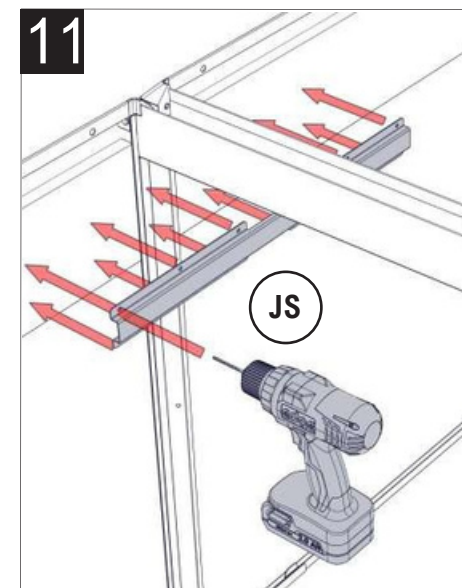
Install the second side panel and insert the plastic cap.



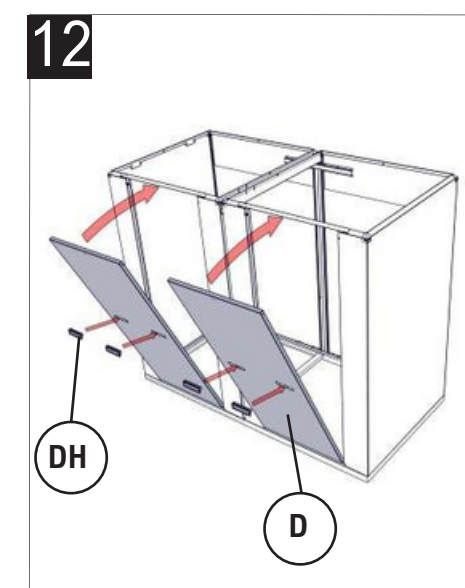
Line up the bottom bars with the straight brackets and corner brackets.



Slide the front panels into position and insert the filler and caps (same method as for rear panels).



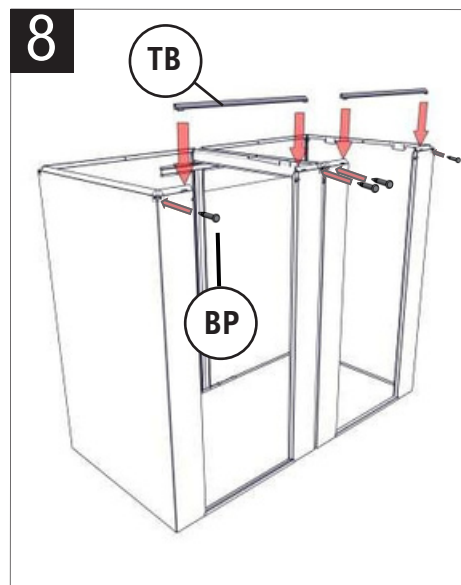
Get the joining stiffener and screw fix to timber panels.



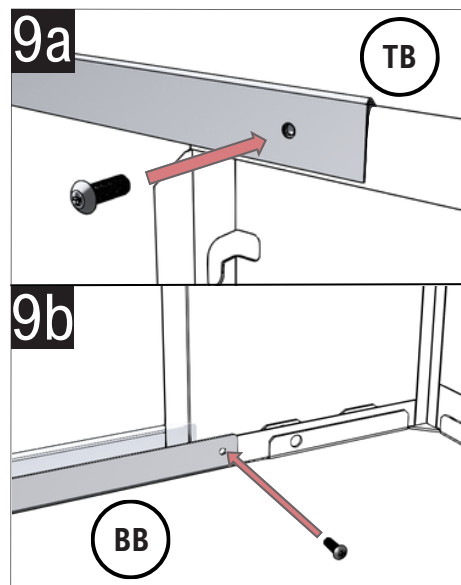
Insert the handles into the door until a "click" is heard. Place the removable front door into the panel by placing the lip of the door over the front panel step. Insert the door by aligning the studs on the side with the slots in the front panel. Push in slightly and then down.



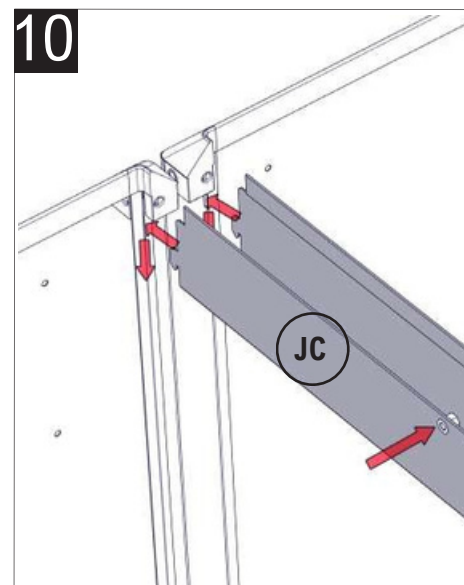
Attach top door to unit with hinge pins. Align pins with holes and tap into place with a mallet.



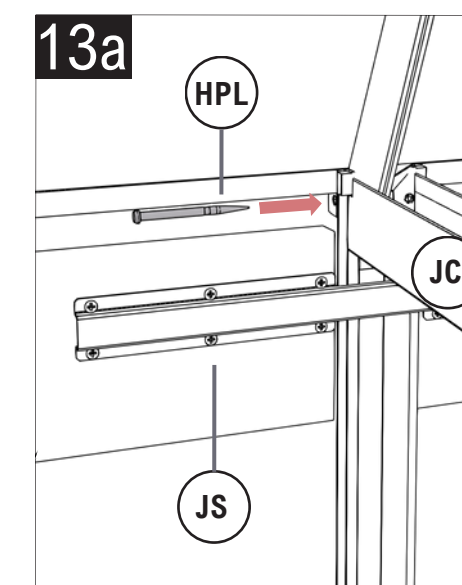
Insert Top Brace into slots in Front Left and Front Right Panels. Insert 4 x BP into slots on the front panels through the corner caps.



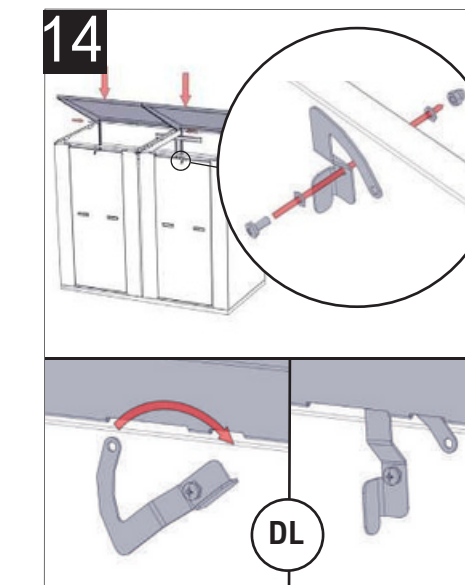
Secure Top Brace to Front Left and Front Right Panels with a Tek Screw (a). Secure Bottom Brace to Front Left and Front Right Panels with a Tek Screw (b).



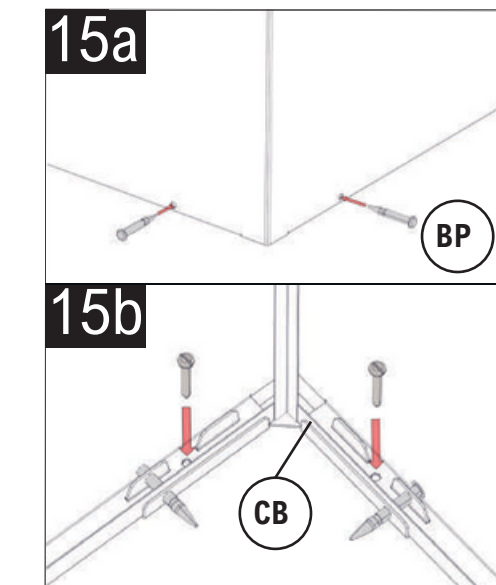
Now it's time to attach the joint channel into the rear and front panels. Push tabs into the slots (through fillers and rear/front panels) and then push down to lock. Ensure joint channel nut is orientated towards the rear as shown.



For the central joint, tap the centre hinge pin through both top door and corner caps.



Attach the latch to the door using the supplied screw/washer/nut as per above. Rotate the Latch clockwise to "lock" into the top lid.



Push base pins into holes in the bottom edge of outer panels and through corner bracket (a). Anchor box to timber base frame as shown or concrete slab / other at surface (b). Do this for for all 4 corners.



T: (02) 9620 5430 E: info@acousticbox.com.au W: www.acousticbox.com.au

For our **3D Assembly Instructions** please scan the QR code below or go to: <https://www.acousticbox.com.au/information/download-assembly>

